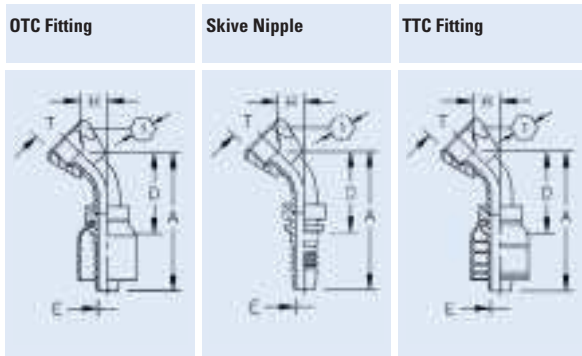


OTC Fitting	Skive Nipple	TTC Fitting	FJ										
			J.I.C Female Swivel JIC-Dichtkopf Femelle JIC Femmina girevole JIC Hembra loca JIC										
Part Number	Part Number	Part Number	Thread T	Flange	Tube O.D. mm	ND	Hose A Size mm	D mm	H mm	E Ø mm	HEX [1]	HEX [2]	K Ø mm
1G3FJ3	1S3FJ3	1A3FJ3	3/8-24				3 34,3	16,9		2,5	14	11	
1G4FJ3	1S4FJ3	1A4FJ3	7/16-20				3 33,6	16,1		2,5	14	11	
1G4FJ4	1S4FJ4	1A4FJ4	7/16-20				4 41,4	18,0		4,2	14	14	
1G5FJ4	1S5FJ4	1A5FJ4	1/2-20				4 41,8	18,4		4,2	17	14	
1G4FJ5	1S4FJ5	1A4FJ5	7/16-20				5 42,2	18,3		5,3	14	14	
1G5FJ5	1S5FJ5	1A5FJ5	1/2-20				5 42,7	18,8		5,3	17	14	
1G6FJ5	1S6FJ5	1A6FJ5	9/16-18				5 45,5	21,6		5,3	19	14	
1G5FJ6	1S5FJ6	1A5FJ6	1/2-20				6 46,7	21,4		6,7	17	17	
1G6FJ6	1S6FJ6	1A6FJ6	9/16-18				6 47,8	22,5		6,7	19	17	
1G8FJ6	1S8FJ6	1A8FJ6	3/4-16				6 49,1	23,8		6,7	22	17	
1G8FJ8	1S8FJ8	1A8FJ8	3/4-16				8 55,4	25,7		9,6	22	22	
1G10FJ8	1S10FJ8	1A10FJ8	7/8-14				8 69,7	40		9,6	27	22	
1G10FJ10	1S10FJ10	1A10FJ10	7/8-14				10 57	27,6		12,8	27	24	
1G12FJ10	1S12FJ10	1A12FJ10	1 1/16-12				10 54,8	25,4		12,8	32	27	
1G10FJ12	1S10FJ12	1A10FJ12	7/8-14				12 58,2	28,0		15,5	27	30	
1G12FJ12	1S12FJ12	1A12FJ12	1 1/16-12				12 57,7	27,5		15,5	32	30	
1G16FJ12	1S16FJ12	1A16FJ12	1 5/16-12				12 60,4	30,2		15,5	41	32	
1G12FJ16	1S12FJ16	1A12FJ16	1 1/16-12				16 65,6	31,2		20,7	32	36	
1G16FJ16	1S16FJ16	1A16FJ16	1 5/16-12				16 83,5	49,1		20,7	41	36	
1G20FJ16	1S20FJ16	1A20FJ16	1 5/8-12				16 64,3	29,9		20,7	50	-	
1G20FJ20	1S20FJ20	1AP20FJ20*	1 5/8-12				20 75,6	31,6		26,6	50	-	
		1AT20FJ20**	1 5/8-12				20 75,6	31,6		26,6	50	-	
1G24FJ24	1S24FJ24	1A24FJ24	1 7/8-12				24 80,3	33,9		32	60	-	
1G24FJ32	1S24FJ32	1A24FJ32	1 7/8-12				32 85,3	33,1		33,3	60	-	
1G32FJ32	1S32FJ32	1A32FJ32	2 1/2-12				32 86,8	34,6		44,4	75	-	

* 1-wire
** 2-wire* 1-wire
** 2-wire* 1-wire
** 2-wire* 1-wire
** 2-wire* 1-wire
** 2-wire



FJA

J.I.C Female Swivel, 45° Elbow
 JIC-Dichtkopf, 45° Krümmer
 Femelle JIC coudé 45°
 Femmina girevole JIC a 45°
 Hembra loca JIC acodado a 45°

Part Number	Part Number	Part Number	Thread T	Flange	Tube O.D. mm	ND	Hose A Size mm	D mm	H mm	E Ø mm	HEX [1]	HEX [2]	K Ø mm
1G3FJA3	1S3FJA3	1A3FJA3	3/8-24				3	48,7	31,2	13,9	2,5	14	
1G4FJA3	1S4FJA3	1A4FJA3	7/16-20				3	43,9	26,4	8,4	2,5	14	
1G4FJA4	1S4FJA4	1A4FJA4	7/16-20				4	45,1	21,7	8,4	3,9	14	
1G5FJA4	1S5FJA4	1A5FJA4	1/2-20				4	51,8	28,4	9,4	4,2	17	
1G5FJA5	1S5FJA5	1A5FJA5	1/2-20				5	52,3	28,4	9,4	5,3	17	
1G6FJA5	1S6FJA5	1A6FJA5	9/16-18				5	57,2	33,3	9,9	5,3	19	
1G6FJA6	1S6FJA6	1A6FJA6	9/16-18				6	58,7	33,3	9,9	6,7	19	
1G8FJA6	1S8FJA6	1A8FJA6	3/4-16				6	66	40,9	14	6,7	22	
1G8FJA8	1S8FJA8	1A8FJA8	3/4-16				8	71,6	41,9	14	9,6	22	
1G10FJA8	1S10FJA8	1A10FJA8	7/8-14				8	77	47,2	15	9,6	27	
1G10FJA10	1S10FJA10	1A10FJA10	7/8-14				10	75	45,5	15	12,8	27	
1G12FJA10	1S12FJA10	1A12FJA10	1 1/16-12				10	85,9	56,4	19,8	12,8	32	
1G12FJA12	1S12FJA12	1A12FJA12	1 1/16-12				12	87,4	59,9	19,8	15,5	32	
1G16FJA12	1S16FJA12	1A16FJA12	1 5/16-12				12	90,9	60,7	27,2	15,5	41	
1G16FJA16	1S16FJA16	1A16FJA16	1 5/16-12				16	95,2	60,7	27,2	20,7	41	
1G20FJA20	1S20FJA20	1AP20FJA20*	1 5/8-12				20	112,8	68,8	31	26,6	50	
		1AT20FJA20**	1 5/8-12				20	112,8	68,8	31	26,6	50	
	1S24FJA24		1 7/8-12				24	124,2	77,9	36,2	32	60	

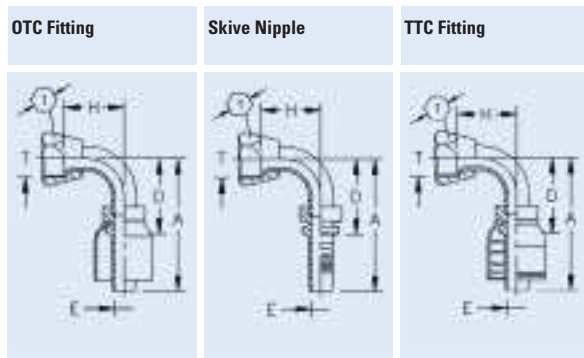
* 1-wire
 ** 2-wire

* 1-wire
 ** 2-wire

* 1-wire
 ** 2-wire

* 1-wire
 ** 2-wire

* 1-wire
 ** 2-wire

**FJB**

J.I.C Female Swivel, 90° Élbow
JIC-Dichtkopf, 90° Krümmer
Femelle JIC coudé 90°
Femina girevole JIC a 90°
Hembra loca JIC acodado a 90°

Part Number	Part Number	Part Number	Thread T	Flange	Tube O.D. mm	ND	Hose A Size mm	D mm	H mm	E Ø mm	HEX [1]	HEX [2]	K Ø mm
1G4FJB4	1S4FJB4	1A4FJB4	7/16-20				4	46,7	23,4	17,3	4,2	14	
1G5FJB4	1S5FJB4	1A5FJB4	1/2-20				4	48,8	25,4	19,3	4,2	17	
1G5FJB5	1S5FJB5	1A5FJB5	1/2-20				5	49,3	25,4	19,3	5,3	17	
1G6FJB5	1S6FJB5	1A6FJB5	9/16-18				5	54,8	30,9	21,3	5,3	19	
1G6FJB6	1S6FJB6	1A6FJB6	9/16-18				6	56,1	30,9	21,3	6,7	19	
1G8FJB6	1S8FJB6	1A8FJB6	3/4-16				6	61,5	36,1	27,7	6,7	22	
1G8FJB8	1S8FJB8	1A8FJB8	3/4-16				8	61,5	36,1	27,7	9,6	22	
1G10FJB8	1S10FJB8	1A10FJB8	7/8-14				8	70,9	40,9	30,2	9,6	27	
1G10FJB10	1S10FJB10	1A10FJB10	7/8-14				10	68,6	39,4	30,2	12,8	27	
1G12FJB10	1S12FJB10	1A12FJB10	1 1/16-12				10	84,2	54,9	45,7	12,8	32	
1G12FJB12	1S12FJB12	1A12FJB12	1 1/16-12				12	85,3	55,1	45,7	15,5	32	
1G16FJB12	1S16FJB12	1A16FJB12	1 5/16-12				12	85,3	55,1	62,5	15,5	41	
1G12FJB16	1S12FJB16	1A12FJB16	1 1/16-12				16	89,5	55,1	45,7	20,7	32	
1G16FJB16	1S16FJB16	1A16FJB16	1 5/16-12				16	90,4	55,9	60,7	20,7	41	
1G20FJB20	1S20FJB20	1AP20FJB20*	1 5/8-12				20	107,9	64	69,8	26,6	50	
		1AT20FJB20**	1 5/8-12				20	107,9	64	69,8	26,6	50	

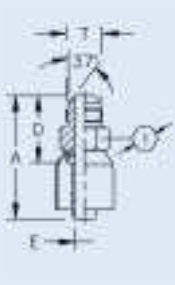
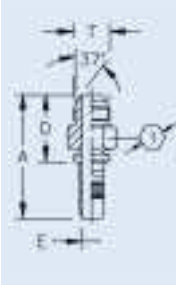
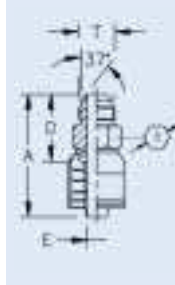
* 1-wire
 ** 2-wire

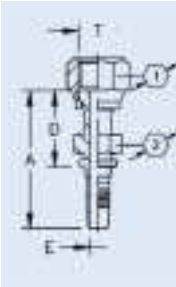
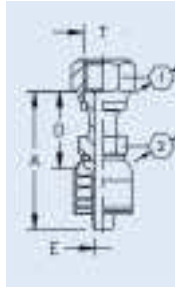
* 1-wire
 ** 2-wire

* 1-wire
 ** 2-wire

* 1-wire
 ** 2-wire

* 1-wire
 ** 2-wire

OTC Fitting	Skive Nipple	TTC Fitting	MJ										
			J.I.C Male Flare JIC-Außengewindeanschluss Mâle JIC Maschio JIC Macho fijo JIC										
Part Number	Part Number	Part Number	Thread T	Flange	Tube O.D. mm	ND	Hose A Size mm	D mm	H mm	E Ø mm	HEX [1]	HEX [2]	K Ø mm
1G4MJ4	1S4MJ4	1A4MJ4	7/16-20				4	50,7	27,3	4,2	14		
1G5MJ5	1S5MJ5	1A5MJ5	1/2-20				5	52	28,2	5,3	14		
1G6MJ6	1S6MJ6	1A6MJ6	9/16-18				6	54,9	29,7	6,7	17		
1G6MJ8	1S6MJ8	1A6MJ8	9/16-18				8	59,4	29,7	9,6	22		
1G8MJ8	1S8MJ8	1A8MJ8	3/4-16				8	65,4	35,7	9,6	22		
1G10MJ8	1S10MJ8	1A10MJ8	7/8-14				8	61,6	31,9	9,6	24		
1G10MJ10	1S10MJ10	1A10MJ10	7/8-14				10	69,4	40	12,8	24		
1G12MJ10	1S12MJ10	1A12MJ10	1 1/16-12				10	65,8	36,4	12,8	30		
1G12MJ12	1S12MJ12	1A12MJ12	1 1/16-12				12	74,6	44,4	15,5	30		
1G16MJ12	1S16MJ12	1A16MJ12	1 5/16-12				12	69,9	39,7	15,5	36		
1G16MJ16	1S16MJ16	1A16MJ16	1 5/16-12				16	82,5	48,1	20,7	36		
1G20MJ20	1S20MJ20	1AP20MJ20*	1 5/8-12				20	98,8	54,8	26,6	46		
		1AT20MJ20**	1 5/8-12				20	98,8	54,8	26,6	46		

Skive Nipple	TTC Fitting	BSP											
		Female BSP Flat Seat BSP-Anschluss, flachdichtend Globeseal BSP face plate Femmina girevole BSP guarnizione piatto Hembra loca BSP asentamiento plano											
Part Number	Part Number	Part Number	Thread T	Flange	Tube O.D. mm	ND	Hose A Size mm	D mm	H mm	E Ø mm	HEX [1]	HEX [2]	K Ø mm
	1F00468M0404-S	1F20322M0404-S	G 1/4				-4	49,5	26,1	4,2	19	14	
	1F00468M0606-S	1F20322M0606-S	G 3/8				-6	56,7	31,4	6,7	22	17	
	1F00468M0806-S	1F20322M0806-S	G 1/2				-6	58,9	33,6	6,7	27	22	
	1F00468M0808-S	1F20322M0808-S	G 1/2				-8	67,8	38,1	9,6	27	22	
	1F00468M1208-S	1F20322M1208-S	G 3/4				-8	71,0	41,3	9,6	36	30	
	1F00468M1212-S	1F20322M1212-S	G 3/4				-12	73,9	43,7	15,5	36	30	

* 1-wire
** 2-wire* 1-wire
** 2-wire* 1-wire
** 2-wire* 1-wire
** 2-wire* 1-wire
** 2-wire